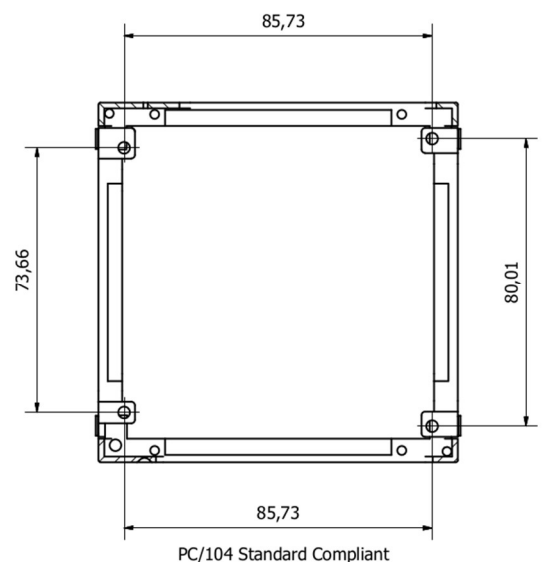
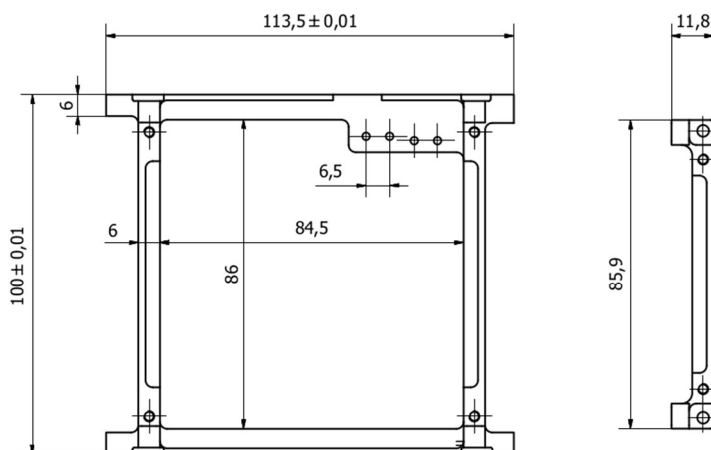


1U Structure

Description	<ul style="list-style-type: none"> Single unit cubesat structure for personalized cubesat design. Used in KrakSat mission - breakthrough scientific ferrofluid flywheel experiment.
Features	<ul style="list-style-type: none"> CNC manufactured of Aluminium 7075 alloy Hard anodized and oxidized Up to 2 safety deployment switches and 1 RBF pins Two separation springs
Details	<ul style="list-style-type: none"> The material was additionally hard anodized to increase the hardness of the outer surface. The oxidized layer serves as an additional protection against corrosion, mechanical deformations and electrical insulator.
Properties	<ul style="list-style-type: none"> Mass: 96 g Dimensions: 100 x 100 x 113.5 mm Compatible with PC-104 mechanical interface
Tests	<ul style="list-style-type: none"> Thermal-vacuum Random vibrations


SATREOLUTION S.A.

NIP: 8943081944
REGON: 364960301

ADRES:

ul. Stabłowicka 147
54-066 Wrocław

KONTAKT:

T: +48 533 325 851
E: contact@satrevolution.com